

Utilux Copper Compression Terminals

Copper Compression Terminals

- Use industry-standard tooling for simple installation
- Industry-standard color coding system simplifies die selection
- Chamfered connector end allows cable to be inserted easily
- One-piece, seamless construction from electrolytic tough pitch (ETP) copper for superior electrical performance and mechanical operation
- Closed barrel transition design for protection from moisture and contaminants
- Tin-plated for corrosion resistance and durability, and tempered for easy crimping

Copper compression terminals are ideally suited for secondary power distribution in buildings, power plants, electrical equipment, and industrial applications. Connectors can be used on applications up to 35 kV, and meet the requirements of UL486A and CSA C22.2 No. 65-95 when applied with approved die sets. (See Instruction Sheet #408-8869 for approved listing of die sets.)

Copper compression terminals are available to accommodate a range of cable sizes from 6 AWG through 1,000 MCM and are designed for terminating concentric, compact, or standard stranded copper conductors. These terminals are offered in one-hole terminals from 6 AWG through 1,000 MCM with either a standard or long barrel. A two-hole NEMA terminal with a long barrel is also available for 4 AWG through 1,000 MCM.

Compression crimping forms the terminal barrel and conductor into a strong, almost homogeneous unit, producing excellent conductivity, low temperature rise, and outstanding resistance to oxidation and corrosion.



Features

- Industry-standard
- Color coded markings
- One-Piece, seamless electrolytic tough pitch ETP copper
- Soft tempered
- Electro tin-plated
- No sight hole
- Entrance chamfers
- Agency approved

Benefits

- Simple installation using readily available tools
- Makes proper tool and die selection virtually error-free and minimizes tool investment
- Provides maximum conductivity and low resistance for superior electrical and crimp-forming properties
- Allows for easy crimping
- Provides durability and corrosion resistance
- Protects conductor end from moisture and other environmental contaminants
- Facilitates cable insertion and prevents stubbing of conductors
- UL and CSA listed when installed with approved die sets

Physical and Electrical Properties

Material: ETP copper alloy C11000

Plating: Electro tin plate

Heat treating: Soft tempered

Voltage Rating: For applications up to 35 kV

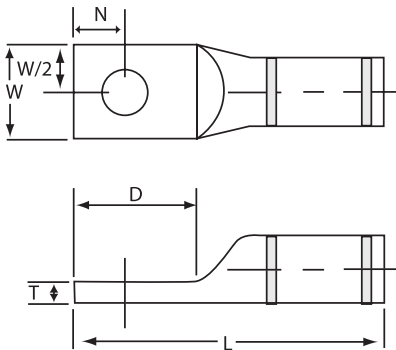
consult shielded cable manufacturers stress relief instructions.

Agency approvals (when crimped with the approved die sets):

Listed by Underwriters Laboratories, Inc. File No. E13288,

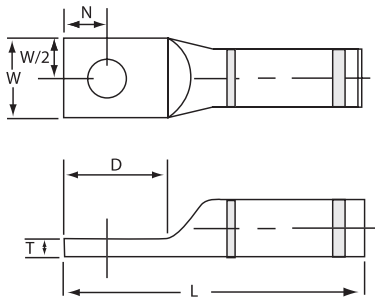
Compression terminal connectors comply with the requirements of UL486A and CSA C.22.2 NO. 65-93.

One Hole, Short Barrel



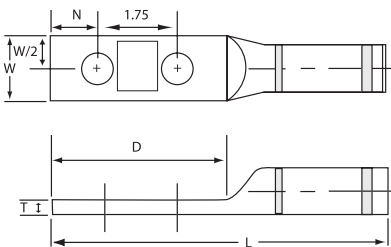
Part Number	Conductor	Stud size	L	W	T	D	N	Color code
1099898-1	6 STR.	1/4	1.5	0.45	0.08	0.56	0.27	blue
1099898-2	4 STR.	1/4	1.5	0.50	0.09	0.56	0.27	gray
1099898-3	3 STR.	5/16	1.6	0.57	0.09	0.70	0.34	white
1099898-4	2 STR.	5/16	1.6	0.61	0.11	0.70	0.34	brown
1099898-5	1 STR.	1/4	1.6	0.68	0.10	0.56	0.27	green
1099898-6	1/0 STR.	5/16	1.7	0.74	0.12	0.70	0.34	pink
1099898-7	1/0 STR.	1/2	2.1	0.88	0.09	1.08	0.53	pink
1099898-8	2/0 STR.	3/8	1.9	0.83	0.12	0.83	0.41	black
1099898-9	3/0 STR.	1/2	2.2	0.91	0.13	1.08	0.53	orange
1-1099898-0	4/0 STR.	1/2	2.2	1.02	0.14	1.08	0.53	purple
1-1099898-1	250 MCM	1/2	2.4	1.11	0.16	1.08	0.53	yellow
1-1099898-2	350 MCM	1/2	2.5	1.27	0.18	1.08	0.53	red
1-1099898-3	500 MCM	1/2	3.2	1.54	0.23	1.30	0.65	brown
1-1099898-4	750 MCM	5/8	4.0	1.88	0.27	1.94	0.88	black
1-1099898-5	1000 MCM	5/8	4.9	2.16	0.32	2.12	0.94	white

One Hole, Long Barrel



Part Number	Conductor	Stud Size	L	W	T	D	N	Color code
1099899-1	6 STR.	1/4	1.9	0.45	0.08	0.56	0.34	blue
1099899-2	4 STR.	1/4	1.9	0.50	0.09	0.56	0.38	gray
1099899-3	3 STR.	5/16	2.3	0.57	0.09	0.70	0.38	white
1099899-4	2 STR.	5/16	2.3	0.60	0.11	0.75	0.38	brown
1099899-5	1 STR.	5/16	2.4	0.68	0.10	0.75	0.27	green
1099899-6	1/0 STR.	5/16	2.4	0.74	0.12	0.75	0.27	pink
1099899-7	1/0 STR.	1/2	2.7	0.75	0.11	1.08	0.53	pink
1099899-8	2/0 STR.	3/8	2.7	0.82	0.12	0.88	0.44	black
1099899-9	3/0 STR.	1/2	2.9	0.91	0.13	1.08	0.53	orange
1-1099899-0	4/0 STR.	1/2	3.0	1.00	0.14	1.08	0.53	purple
1-1099899-1	250 MCM	1/2	3.2	1.09	0.16	1.12	0.56	yellow
1-1099899-2	300 MCM	1/2	3.6	1.19	0.16	1.12	0.56	white
1-1099899-3	350 MCM	1/2	3.7	1.28	0.18	1.12	0.56	red
1-1099899-4	400 MCM	5/8	4.2	1.38	0.19	1.50	0.75	blue
1-1099899-5	500 MCM	5/8	4.4	1.52	0.23	1.50	0.75	brown
1-1099899-6	500 MCM	1/2	4.2	1.54	0.23	1.30	0.65	brown
1-1099899-7	600 MCM	5/8	5.2	1.69	0.27	1.75	0.88	green
1-1099899-8	750 MCM	5/8	5.4	1.89	0.27	1.94	0.88	black
1-1099899-9	1000 MCM	5/8	6.0	2.17	0.32	2.12	0.94	white

Two Hole NEMA , Long Barrel



Part Number	Conductor	Stud size	L	W	T	D	N	Color code
1099939-1	4 STR.	1/2	4.4	0.83	0.11	3.00	0.62	gray
1099939-2	3 STR.	1/2	4.4	0.83	0.11	3.00	0.62	white
1099939-3	2 STR.	1/2	4.5	0.82	0.11	3.00	0.62	brown
1099939-4	1 STR.	1/2	4.7	0.80	0.09	3.00	0.62	green
1099939-5	1/0 STR.	1/2	4.7	0.75	0.12	3.00	0.62	pink
1099939-6	2/0 STR.	1/2	4.8	0.82	0.12	3.00	0.62	black
1099939-7	3/0 STR.	1/2	4.8	0.90	0.12	3.00	0.62	orange
1099939-8	4/0 STR.	1/2	5.0	1.00	0.14	3.00	0.62	purple
1099939-9	250 MCM	1/2	5.0	1.09	0.16	3.00	0.62	yellow
1-1099939-0	300 MCM	1/2	5.4	1.18	0.16	3.00	0.62	white
1-1099939-1	350 MCM	1/2	5.4	1.27	0.18	3.00	0.62	red
1-1099939-2	500 MCM	1/2	5.7	1.53	0.23	3.00	0.62	brown
1-1099939-3	600 MCM	1/2	6.2	1.71	0.27	3.00	0.62	green
1-1099939-4	750 MCM	1/2	6.5	1.89	0.27	3.00	0.62	black
1-1099939-5	1000 MCM	1/2	6.8	2.16	0.33	3.00	0.62	white

All of the above information, including drawings, illustrations and graphic designs, reflects our present understanding and is to the best of our knowledge and belief correct and reliable. Users, however, should independently evaluate the suitability of each product for the desired application. Under no circumstances does this constitute an assurance of any particular quality or performance. Such an assurance is only provided in the context of our product specifications or explicit contractual arrangements. Our liability for these products is set forth in our standard terms and conditions of sale. ALR, AMP, AXICOM, B&H, Bowthorpe EMP, Dorman Smith, Dulmison, Hellstern, La Prairie, Morlynn, Raychem, and SIMEL are trademarks.



Energy Division – a pioneer in the development of economical solutions for the electrical power industry. Our product range includes: Cable accessories, connectors & fittings, electrical equipment, instruments, lighting controls, insulators & insulation enhancement and surge arresters.



For more information and your country contact person, please visit us at:

<http://energy.tycoelectronics.com>



Tyco Electronics Corporation Energy Division
8000 Purfoy Rd, Fuquay-Varina, NC 27526-9349
Phone: 800-327-6996 · 919-557-8903 (outside US only) · Fax: 800-527-8350
Canada: Phone: 905-475-6222 · Fax: 905-470-4408